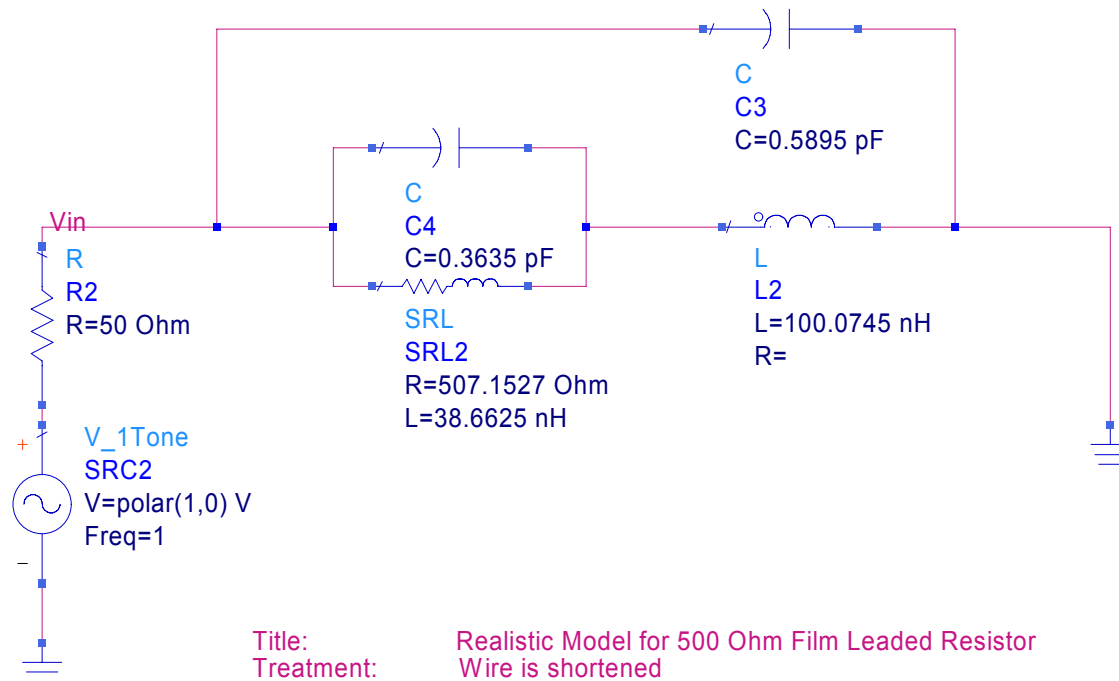


Title: Realistic Model for 500 Ohm Film Leaded Resistor  
 Treatment: None



Title: Realistic Model for 500 Ohm Film Leaded Resistor  
 Treatment: Wire is shortened