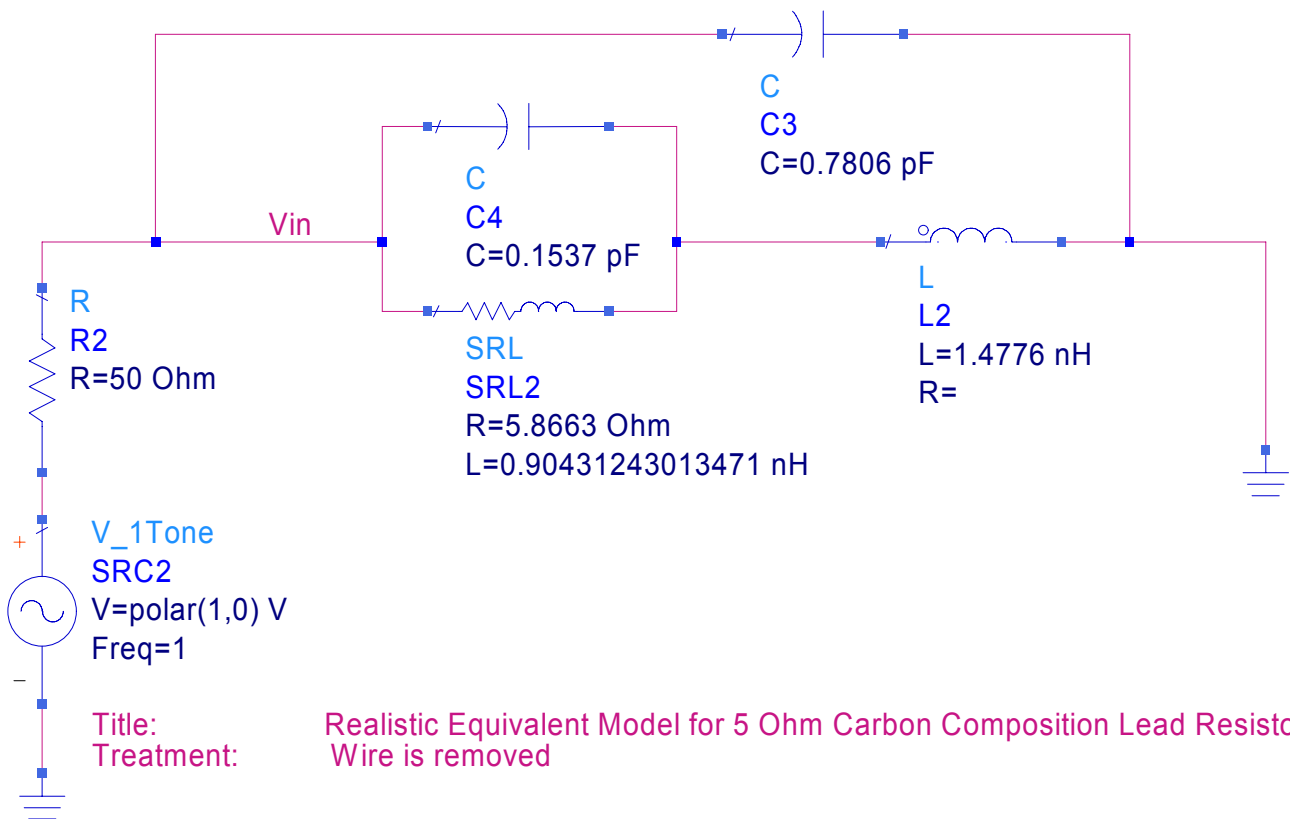


Title: Realistic Equivalent Model for 5.6 Ohm Carbon Composition Lead Resistor
 Treatment: None



Title: Realistic Equivalent Model for 5 Ohm Carbon Composition Lead Resistor
 Treatment: Wire is removed