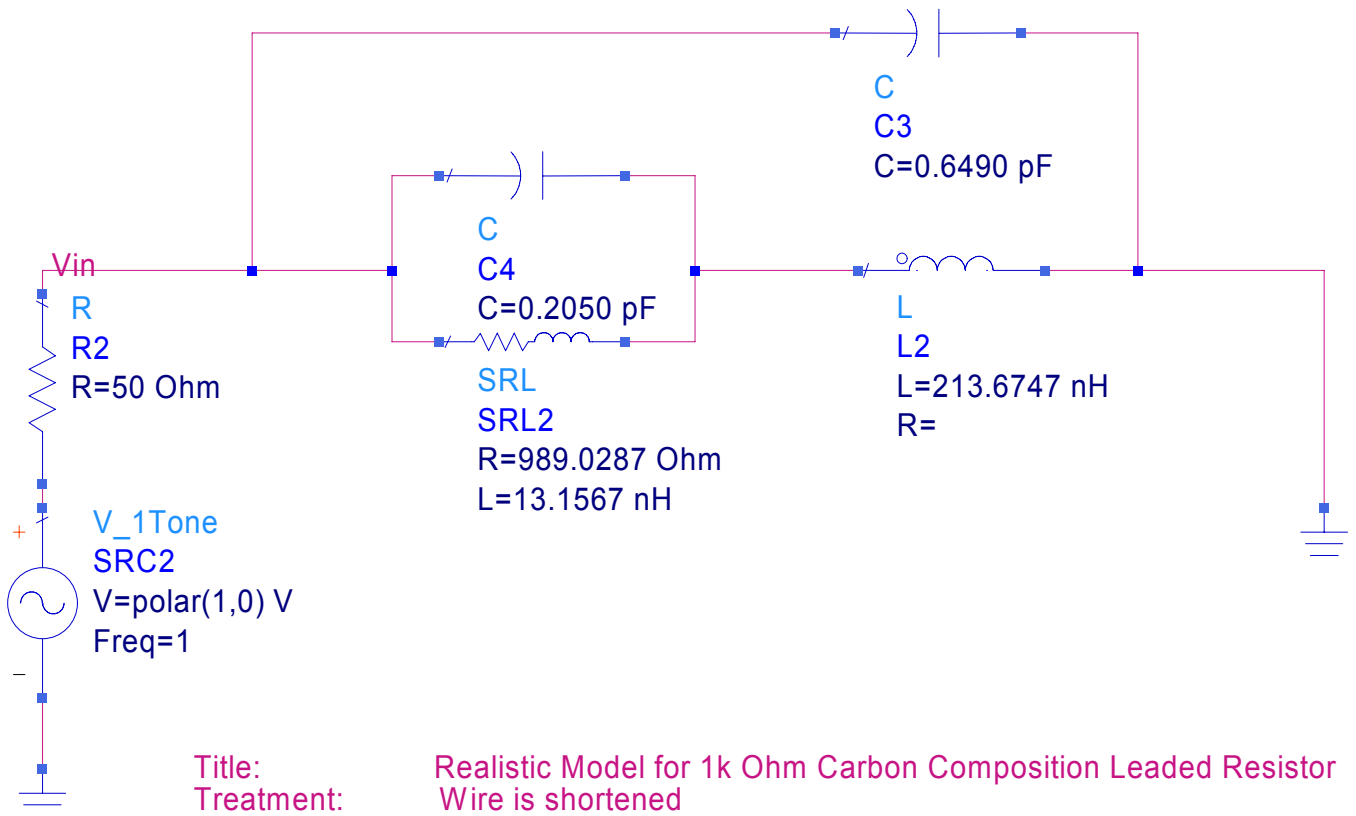


Title: Realistic Model for 1k Ohm Carbon Composition Leaded Resistor
 Treatment: None



Title: Realistic Model for 1k Ohm Carbon Composition Leaded Resistor
 Treatment: Wire is shortened